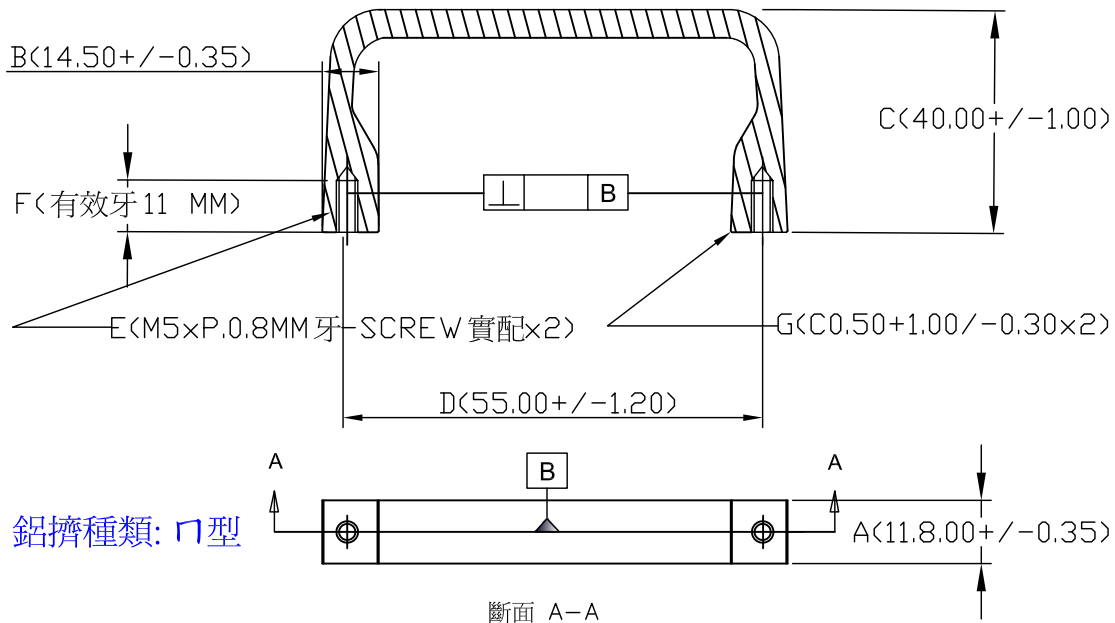


Drawing & Part No. TENGC000030 手動方形把手	Description L14.50xW11.80- ϕ 55.00-H40.00-M5xP.0.8MM 牙xT11	Rev. 0
--	--	-----------

Taipei Date : MAR./21/2014

螺絲牙以標準環規 M5xP.0.80MM 牙為標準 x 2

UNIT : MM



NOT TO SCALE

Materials	Specifications		Remarks
AISI 6063 ALUMINUM ALLOY 鋁擠型材質 (編號 6063)	A	11.80 + / - 0.35	
Hardness	B	14.50 + / - 0.35	
83 HV (REF. VALUED)	C	40.00 + / - 1.00	
Finish	D	55.00 + / - 1.20	
NATURAL ANODIZING TREATMENT 表面原色陽極處理	E	M5xP.0.8MM 牙-SCREW 實配x2	
Salt Spray Test	F	有攻牙 11 MM (孔深 13 MM)	
12 HOURS	G	C 0.50 + 1.00 / - 0.30 (x 2)	
Customer	H	X	
OTU	J	X	
Confirmed By	K	X	
Part No.	L14.50xW11.80- ϕ 55.00-H40.00-M5xP.0.8MM 牙xT11		I
Description			X

TENGSCREW CO., LTD.
鄧記有限公司

DRAWN

CHECKED

APPROVED

Tommy
03.21.2014

Tommy
03.21.2014

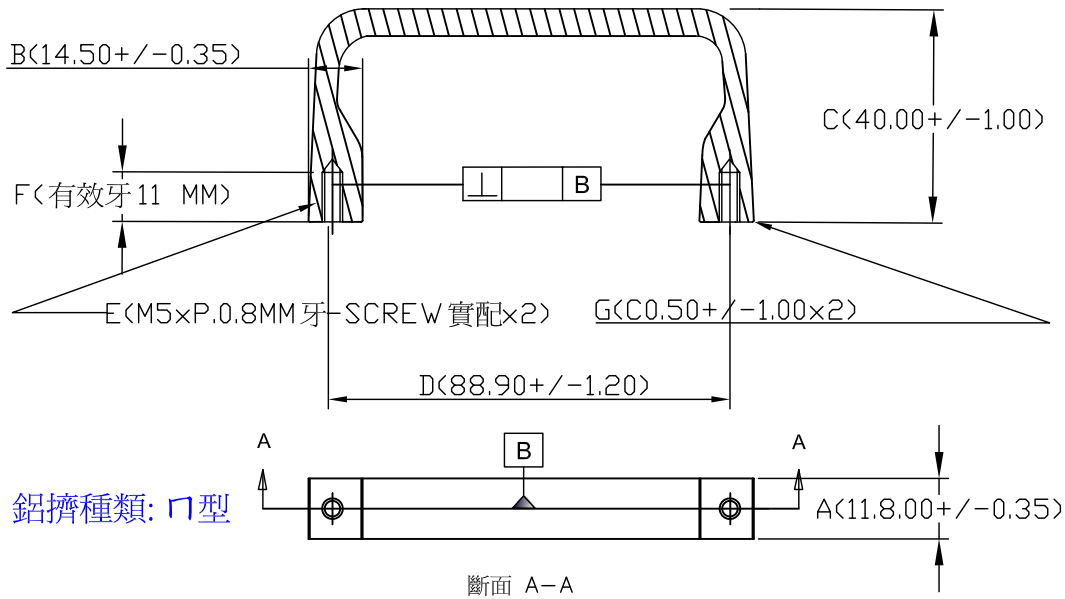
Johnson
03.21.2014

Drawing & Part No. TENGC000022 手動方形把手	Description L14.50xW11.80- ϕ 88.90(3-1/2")-H40.00-M5xP.0.8MM 牙xT11	Rev. 1
--	--	-----------

Taipei Date : JULY/26/2013

螺絲牙以標準環規 M5xP.0.80MM 牙為標準 x 2

UNIT : MM



NOT TO SCALE

Materials	Specifications		Remarks
AISI 6063 ALUMINUM ALLOY 鋁擠型材質 (編號 6063)	A	11.80 +/- 0.35	
Hardness	B	14.50 +/- 0.35	
83 HV (REF. VALUED)	C	40.00 +/- 1.00	
Finish	D	88.90 +/- 1.20	
NATURAL ANODIZING TREATMENT 表面原色陽極處理	E	M5xP.0.8MM 牙-SCREW 實配x2	
Salt Spray Test	F	有攻牙 11 MM (孔深 13 MM)	
12 HOURS	G	C 0.50 +/- 1.00 (x 2)	
Customer	H	X	
COM	J	X	
Confirmed By	K	X	
Part No.	L14.50xW11.80- ϕ 88.90(3-1/2")-H40.00-M5xP.0.8MM 牙xT11		I
Description			X

TENGSCREW CO., LTD.
鄧 記 有 限 公 司

DRAWN

CHECKED

APPROVED

Tommy
07.29.2013

Tommy
07.29.2013

Johnson
07.30.2013