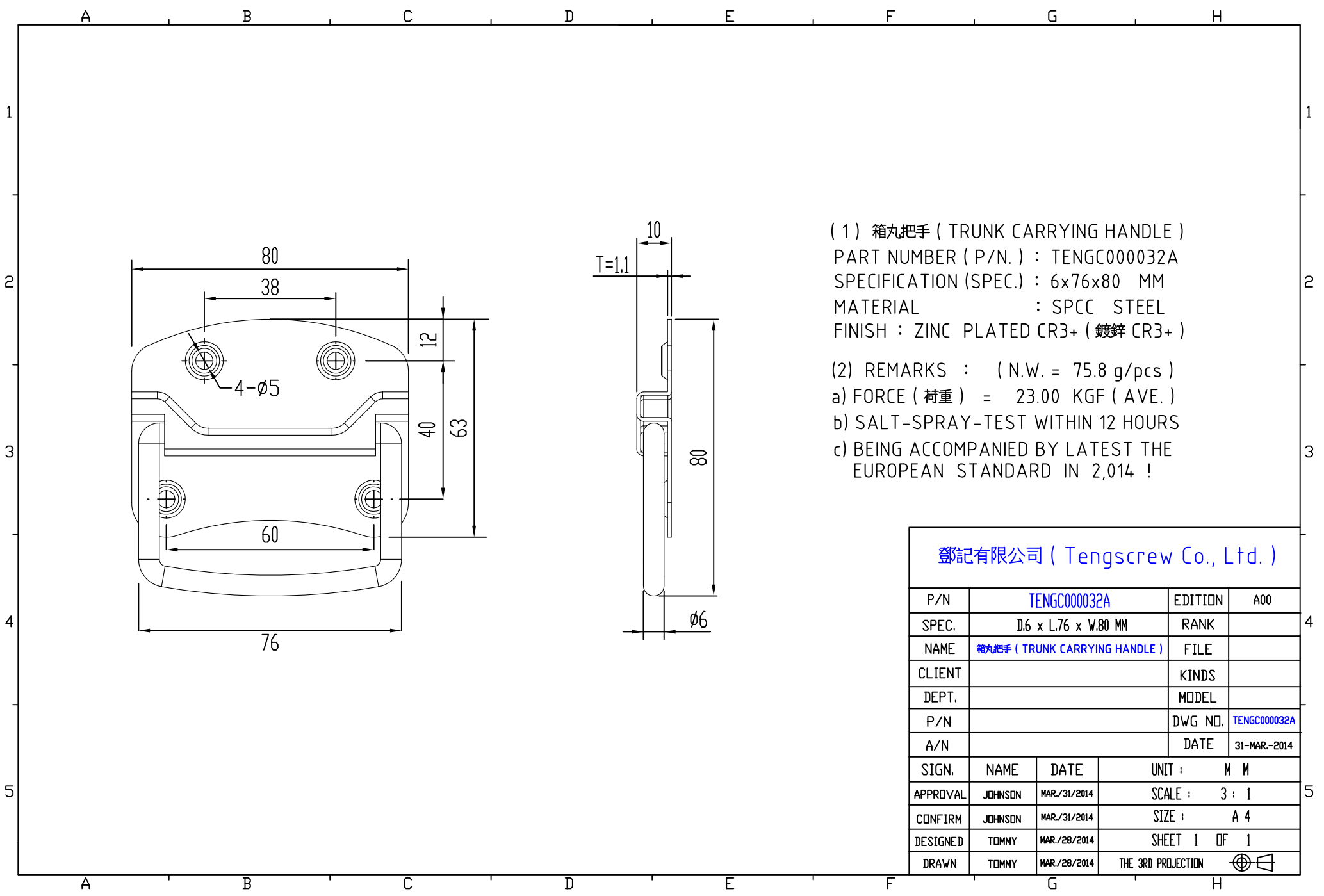


(1) 箱丸把手 ( TRUNK CARRYING HANDLE )  
 PART NUMBER ( P/N. ) : TENG000032  
 SPECIFICATION ( SPEC. ) : 8x95.5x97 MM  
 MATERIAL : SPCC STEEL  
 FINISH : ZINC PLATED CR3+ ( 鍍鋅 CR3+ )

(2) REMARKS : ( N.W. = 149.0 g/pcs )  
 a) FORCE ( 荷重 ) = 50.00 KGF ( AVE. )  
 b) SALT-SPRAY-TEST WITHIN 12 HOURS  
 c) BEING ACCOMPANIED BY LATEST THE EUROPEAN STANDARD IN 2,014 !

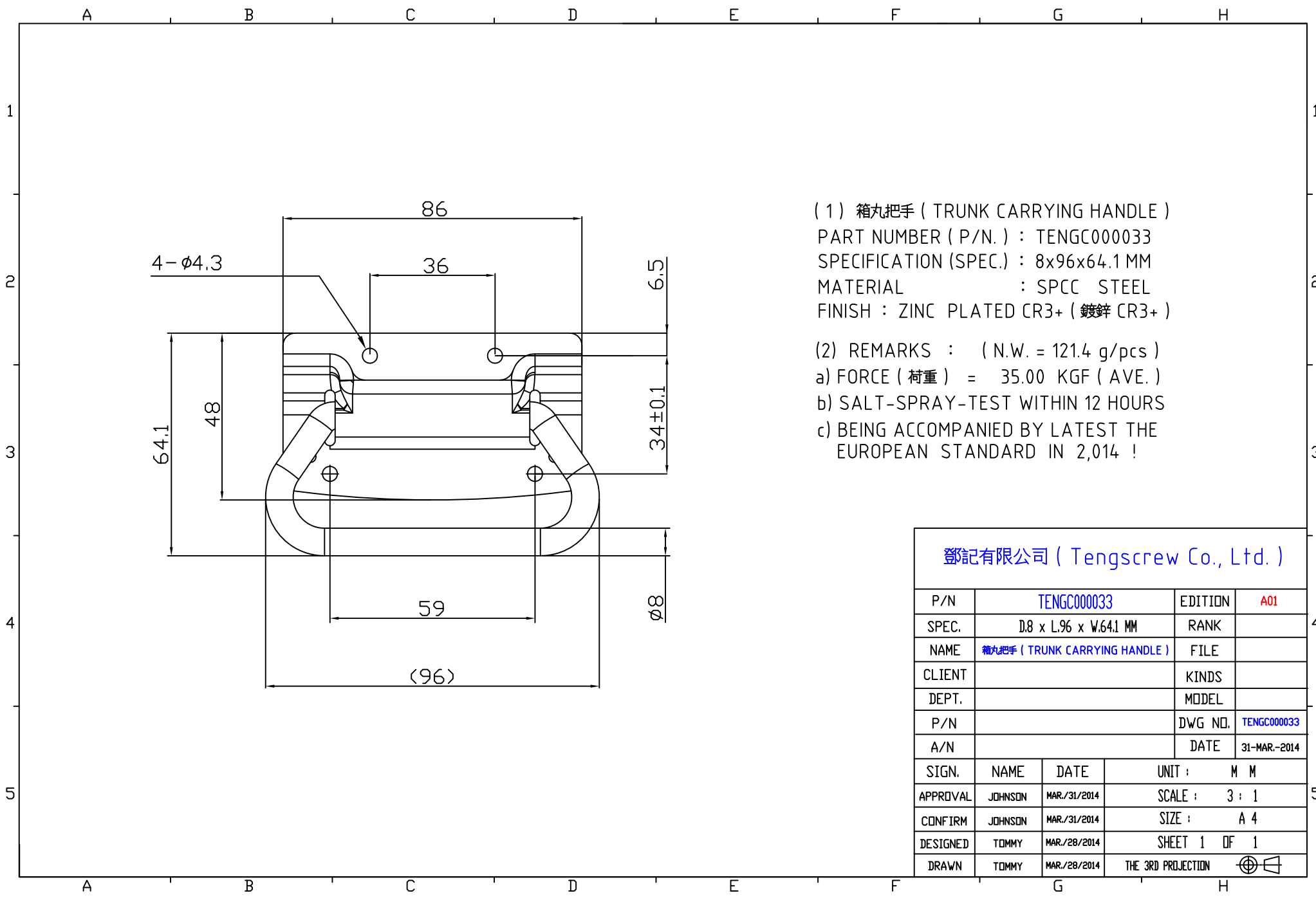
鄧記有限公司 ( Tengscrew Co., Ltd. )			
P/N	TENG000032	EDITION	A01
SPEC.	D.8 x L.95.5 x W.97 MM	RANK	
NAME	箱丸把手 ( TRUNK CARRYING HANDLE )	FILE	
CLIENT		KINDS	
DEPT.		MODEL	
P/N		DWG NO.	TENG000032
A/N		DATE	31-MAR.-2014
SIGN.	NAME	DATE	UNIT : M M
APPROVAL	JOHNSON	MAR./31/2014	SCALE : 3 : 1
CONFIRM	JOHNSON	MAR./31/2014	SIZE : A 4
DESIGNED	TOMMY	MAR./28/2014	SHEET 1 OF 1
DRAWN	TOMMY	MAR./28/2014	THE 3RD PROJECTION



( 1 ) 箱丸把手 ( TRUNK CARRYING HANDLE )  
 PART NUMBER ( P/N. ) : TENG000032A  
 SPECIFICATION ( SPEC. ) : 6x76x80 MM  
 MATERIAL : SPCC STEEL  
 FINISH : ZINC PLATED CR3+ ( 鍍鋅 CR3+ )

( 2 ) REMARKS : ( N.W. = 75.8 g/pcs )  
 a) FORCE ( 荷重 ) = 23.00 KGF ( AVE. )  
 b) SALT-SPRAY-TEST WITHIN 12 HOURS  
 c) BEING ACCOMPANIED BY LATEST THE EUROPEAN STANDARD IN 2,014 !

鄧記有限公司 ( Tengscrew Co., Ltd. )			
P/N	TENG000032A	EDITION	A00
SPEC.	D.6 x L.76 x W.80 MM	RANK	
NAME	箱丸把手 ( TRUNK CARRYING HANDLE )	FILE	
CLIENT		KINDS	
DEPT.		MODEL	
P/N		DWG NO.	TENG000032A
A/N		DATE	31-MAR.-2014
SIGN.	NAME	DATE	UNIT : M M
APPROVAL	JOHNSON	MAR./31/2014	SCALE : 3 : 1
CONFIRM	JOHNSON	MAR./31/2014	SIZE : A 4
DESIGNED	TOMMY	MAR./28/2014	SHEET 1 OF 1
DRAWN	TOMMY	MAR./28/2014	THE 3RD PROJECTION



(1) 箱丸把手 ( TRUNK CARRYING HANDLE )  
 PART NUMBER ( P/N. ) : TENG000033  
 SPECIFICATION (SPEC.) : 8x96x64.1 MM  
 MATERIAL : SPCC STEEL  
 FINISH : ZINC PLATED CR3+ ( 鍍鋅 CR3+ )

(2) REMARKS : ( N.W. = 121.4 g/pcs )  
 a) FORCE ( 荷重 ) = 35.00 KGF ( AVE. )  
 b) SALT-SPRAY-TEST WITHIN 12 HOURS  
 c) BEING ACCOMPANIED BY LATEST THE EUROPEAN STANDARD IN 2,014 !

登記有限公司 ( Tengscrew Co., Ltd. )			
P/N	TENG000033	EDITION	A01
SPEC.	D.8 x L.96 x W.64.1 MM	RANK	
NAME	箱丸把手 ( TRUNK CARRYING HANDLE )	FILE	
CLIENT		KINDS	
DEPT.		MODEL	
P/N		DWG NO.	TENG000033
A/N		DATE	31-MAR.-2014
SIGN.	NAME	DATE	UNIT : M M
APPROVAL	JOHNSON	MAR./31/2014	SCALE : 3 : 1
CONFIRM	JOHNSON	MAR./31/2014	SIZE : A 4
DESIGNED	TOMMY	MAR./28/2014	SHEET 1 OF 1
DRAWN	TOMMY	MAR./28/2014	THE 3RD PROJECTION